

UNIT CODE	DESCRIPTION
ATR131-12V	Single Set Point Temperature Controller

SPECIFICATIONS		
Input Power Required	Power Consumption	Control
12 VAC/VDC (50/60 Hz) *	3 VA	On/Off

Power Supply: 12 VAC/VDC ± 10% F: 50/60 Hz

Power Consumption: 3 VA

Input(s): NTC 103AT-2 (10 kΩ at 25°C)

Output(s): One (1) 10 amp relay output

Case: Self-extinguishing plastic, UL 94 VO

Dimensions: 1/16th DIN, Front Panel 35x75 mm, depth 64 mm

Mounting: Flush in panel in 29x71 mm hole

Connections: 2.5 mm² screw terminal block

Degree of protection of from panel: IP54 front, IP30 Box, IP20 terminal board

Control: ON/OFF with hysteresis

Measurement Range: According to probe used. Display Scale -99....999 max.

Display resolution: According to the probe used. 1/0. 1/5/0.5

Overall Accuracy: ± 0.5% fs

Sampling rate: 1 sample per second

Compliance: EEC directive EMC 89/336 (EN 50081-1, EN 50082-1), EEC directive LV 73/23 and 93/68 (EN 60730-1)

REPLACES: TLZ10-FS

User Manual:
www.electracool.com/ATR131Manual.pdf

All specifications, data and drawings are subject to change without notice Rev: 9/09



ATR131-12 is a compact, microprocessor driven temperature controller great for simple applications where maintaining a single temperature is desired. Selected to work with all of our 12 VDC air conditioners, cold plates and assemblies it will accommodate up to a 10-amp load. If you build a single module assembly (or multiple module 12V DC assembly), with occasional temperature adjustments, this simple unit is a breeze hook up and program.

Set it and forget it!

With only one set point, the unit is easily programmable for either direct action (cooling) OR reverse action (heating). Great for outdoor electronics enclosures that need either air conditioning OR warming of the case in Winter.

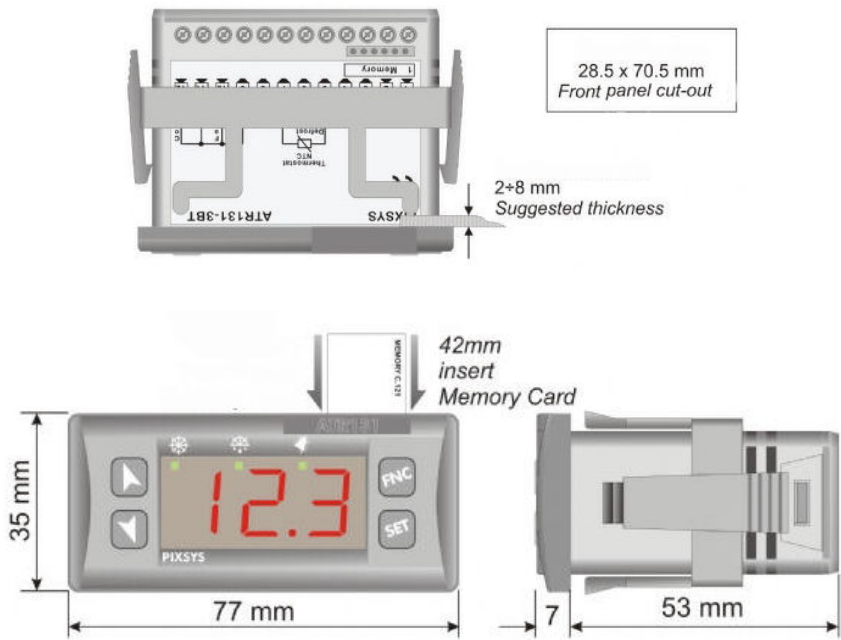
Pricing:

\$115.00 with NTC probe.

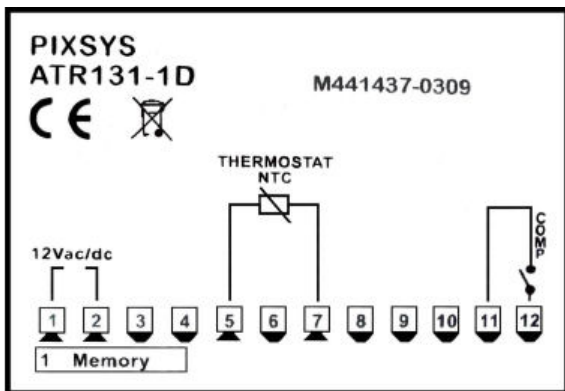
Operational temperature range of -50°C to +200°C

1+ \$115.00 10+ \$99.00 100+ \$77.77

DIMENSIONS (mm)



CONNECTIONS



CE C **UL** US
PENDING

*** 115V 230V and 24 Volt
versions available**

Pricing:

\$115.00 with NTC probe.
Operational temperature range of -50°C to +200°C

1+ \$115.00 10+ \$99.00 100+ \$77.77